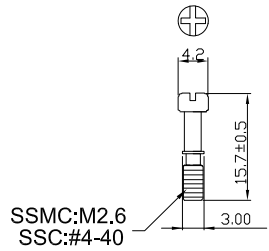


| | |
|--------------|-----------|
| CUST. MODEL: | REF. |
| CUST. P/N: | DWG FILE: |

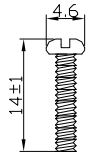
| DESCRIPTION CONTROL | | | |
|---------------------|-------|------|------|
| REV. | DESC. | DATE | APP. |
| | | | |

RoHS Compliance

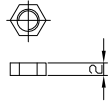
NOTE:
ZINE ALLOY NI PLATED
FOR OD=10.0mm CABLE



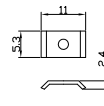
A
2Pcs



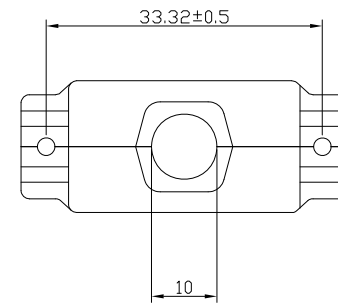
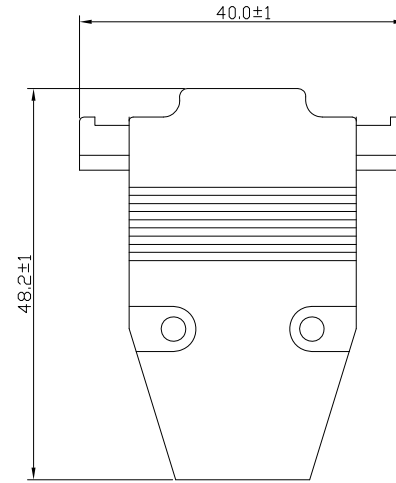
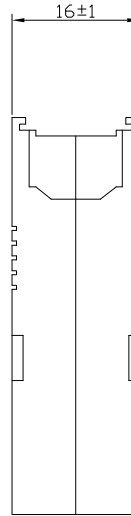
B
2Pcs



C
2Pcs



D
2Pcs



MPH02-15-XXXX

SSMC:M2.6
SSC:#4-40

| | | | |
|---------------------------------------------------------------------------------------------------------------|------------------------|-------------------------|------------------------------------------------------------------|
| UNLESS OTHERWISE SPECIFIED SURFACE FINISH ALL OVER TOLERANCES mm METRIC .X = ±0.3 .XX = ±0.2 | DRAW: <i>CHUBBY</i> | DATE: 02/05/06 | TITLE: D-SUB MATEL HOOD Type |
| | CHECK: KEVIN | APPROVE: <i>TONY</i> | MODEL CODE: MPH02-15-XXXX |
| | | | 誠州電子有限公司 <i>Sincere State Electronics Co.,Ltd.</i> |

| NO | DESCRIPTION | QTY |
|----|-------------|-----|
| | | |