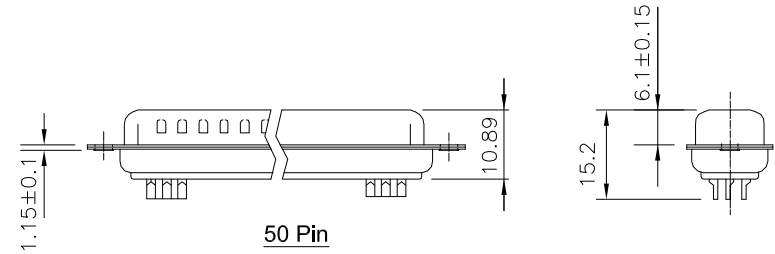
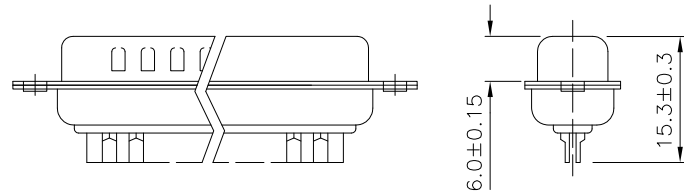
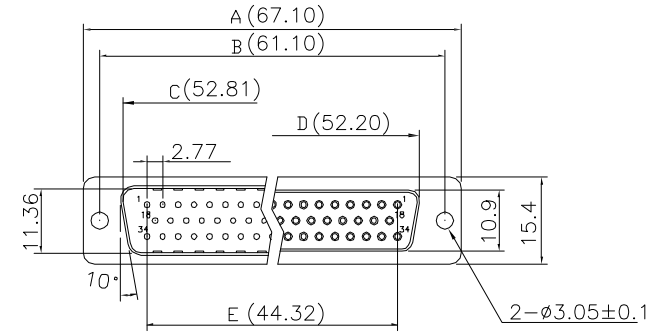
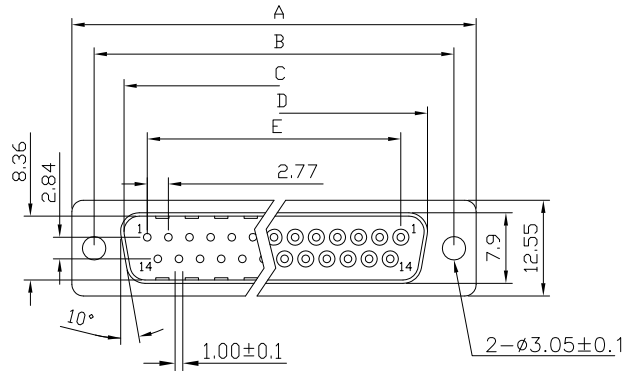


CUST. MODEL: REF.
 CUST. P/N: DWG FILE:

RoHS Compliance

DESCRIPTION CONTROL			
REV.	DESC.	DATE	APP.
1.0			

Current Rating: 3.0 Amps
 Voltage Rating: 500V AC R.M.S.
 Insulator resistance: 1000 Megohms Min.
 Dielectric withstanding: DC 1000V for 1 minute
 Contact resistance: 30milliohms Megohms Max.
 Operating Temperature: -55 ~ +105 °C
 Contact Material: Brass
 Insulator Material: High temp. thermoplastic (UL94V-0)



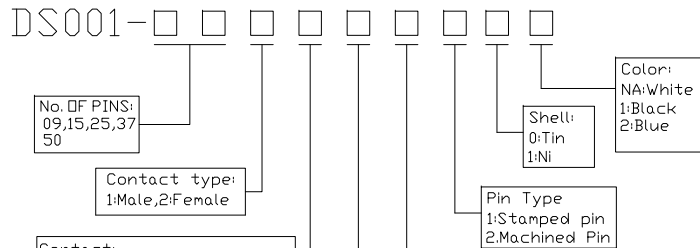
50 Pin

Positions	A	B	C	E
9	30.81	24.99	16.92	11.08
15	39.14	33.32	25.25	19.39
25	53.04	47.04	38.96	33.24
37	69.32	63.50	55.42	49.86
50	67.10	61.10	52.81	44.32

Male

Positions	A	B	D	E
9	30.81	24.99	16.33	11.08
15	39.14	33.32	24.66	19.39
25	53.04	47.04	38.38	33.24
37	69.32	63.50	54.84	49.86
50	67.10	61.10	52.20	44.32

Female



No. of PINS:
09,15,25,37
50

Contact type:
1:Male,2:Female

Contact:
1:Gold Flash and Tinned Tail
2:15u' Gold on contact
3:30u' Gold on contact
4:Selective Gold (full Gold)

Position of clinch nut:
0:3.05mm clear hole
1:Riveted front shell
2:Riveted rear shell
3:Riveted boardlock

Pin Type
1:Stamped pin
2:Machined Pin

Shell:
0:Tin
1:Ni

Color:
NA:White
1:Black
2:Blue

Flange Mounting Option:
0: 3.05mm clear hole
1: #4-40 threaded hole
2: #4-40 threaded hole with #4-40 unc screwlock installed
3: #4-40 threaded hole with #4-40 unc screwlock bulk-packed
4: M3 threaded hole
5: M3 threaded hole with M3 screwlock installed
6: M2.6 threaded hole
7: M2.6 threaded hole with M2.6 screwlock installed

UNLESS OTHERWISE SPECIFIED SURFACE FINISH ALL OVER TOLERANCES mm METRIC .X = ±0.38 .XX = ±0.25	DRAW: <i>Chubby</i>	DATE: 11/10/08	TITLE: D-Sub Solder Type
	CHECK: KEVIN	APPROVE: <i>TONY</i>	MODEL CODE: DS001-XXXXXXXX

誠州電子有限公司
 Sincere State Electronics Co.,Ltd.

NO	DESCRIPTION	QTY
----	-------------	-----