

CUST. MODEL:	REF.
CUST. P/N	DWG FILE:

DESCRIPTION CONTROL			
REV.	DESC.	DATE	APP.

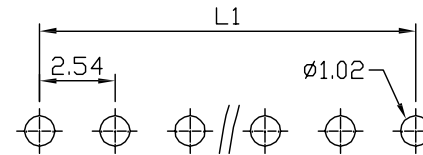
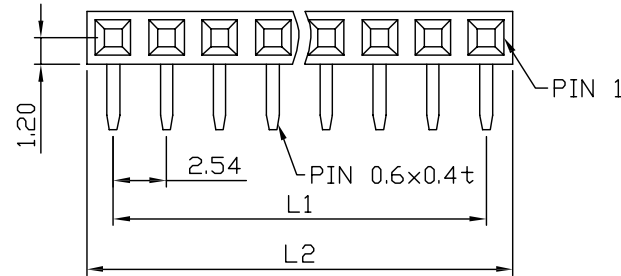
SPFCIFICATIONS

- Current Rating: 3.0 Amp
- Insulator Resistance: 5000 Megohms min.
- Contact Resistance: 20 m ohms max.
- Dielectric withstanding: AC 1000V/minute
- Operating Temperature: -40°C to +105°C
- Contact Material: Brass
- Insulator Material: High Temperature Thermoplastic +Glass Fibre UL94V-0
- Color: Black
- Finish: Gold, Tin or Duplex plated
- Standard: Gold flash all over
- Duplex plating: Gold plated on contact area
- Tin on solder area

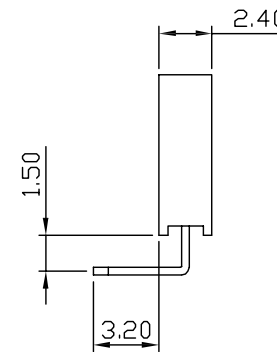
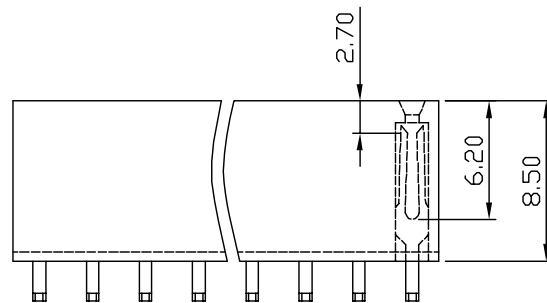
RoHS Compliance



Three Two Contact Terminal



Recommended P.C.B Layout



Cir-cuits	Dimension (mm)	
	L1	L2
2	2.54	5.58
3	5.08	8.12
4	7.62	10.66
5	10.16	13.20
6	12.70	15.74
7	15.24	18.28
8	17.78	20.82
9	20.32	23.36
10	22.86	25.90
11	25.40	28.44
12	27.94	30.98
13	30.48	33.52
14	33.02	36.06
15	35.56	38.60
16	38.10	41.14
17	40.64	43.68
18	43.18	46.22
19	45.72	48.76
20	48.26	51.30
21	50.80	53.84
22	53.34	56.38
23	55.88	58.92
24	58.42	61.46
25	60.96	64.00
26	63.50	66.54
27	66.04	69.08
28	68.58	71.62
29	71.12	74.16
30	73.66	76.70
31	76.20	79.24
32	78.74	81.78
33	81.28	84.32
34	83.82	86.86
35	86.36	89.40
36	88.90	91.94
37	91.44	94.48
38	93.98	97.02
39	96.52	99.56
40	99.06	102.10

FH P B-26 R X 1 XX-01G-XX 0

- P: PBT
- Color
- Pitch 2.54
- Right Angle Type
- Terminal Type
- Row of Pin
- Number of Contact
- 0: Without Post
- Plastic High 85:8.5
- G: Gold Plated
- T: Tin Plated
- H: Duplex Plated
- Contact Plating
- 01 Normal
- 03 3u"
- : :

UNLESS OTHERWISE SPECIFIED SURFACE FINISH ALL OVER TOLERANCES mm

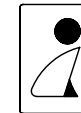
METRIC

.X = ±0.38

.XX = ±0.25

DRAW:	DATE:
CHUBBY	01/10/07
CHECK:	APPROVE:
KEVIN	TONY

TITLE:	2.54 Female Header Right Angle Type Plastic High 8.5
MODEL CODE:	FHPB-26RY1XX-01G-850



誠州電子有限公司
Sincere State Electronics Co.,Ltd.

NO	DESCRIPTION	QTY
----	-------------	-----