

CUST. MODEL:	REF.
CUST. P/N	DWG FILE:

DESCRIPTION CONTROL			
REV.	DESC.	DATE	APP.
1.0			

SPECIFICATIONS

Current Rating:
1.0 Amp
Voltage Rating:
30V AC/DC

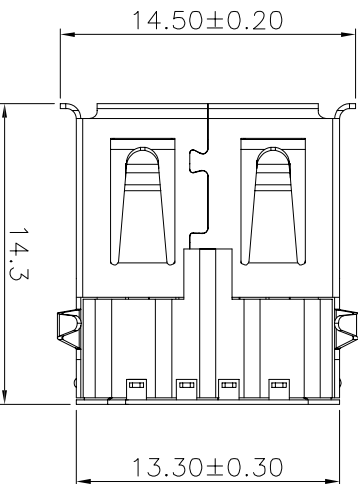
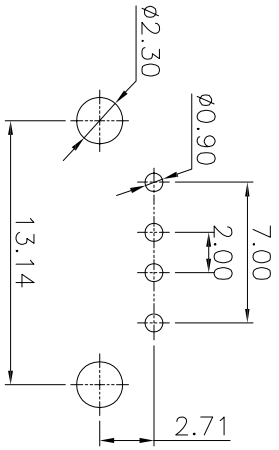
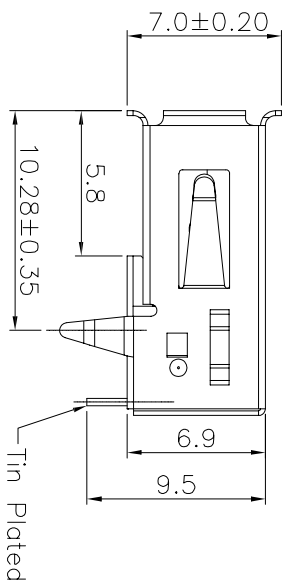
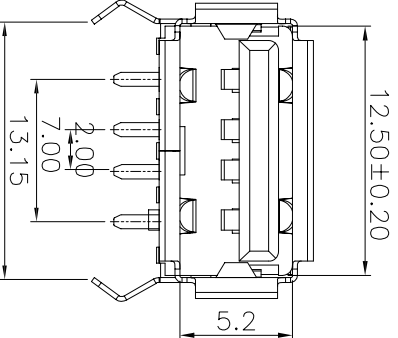
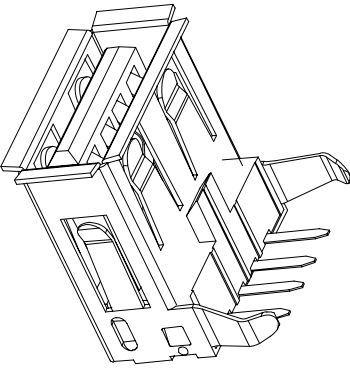


Insulator Resistance:
1000 M ohm min.
Contact Resistance:
20 m ohm max.

Dielectric withstanding:
AC 750V/minute
Operating Temperature:
-40°C to +105°C

Contact Material:
Phosphor Bronze
Insulator Material:
PBT UL94V-0

Finish:
Gold plated on contact area
Tin Plated on solder Tail
Shell: Copper Alloy
Shell Plating: Nickel Plated



A: A Type
B: B Type
C: 1394

No. DF PINS:

S10: Single port 90°
S15: Single port 180°
S20: Dual port 90°
S30: SMT

Gold Thickness
00: None
03: 3u"
05: 5u"
10: 10u"

Plating Material
G: Full Gold Plated
T: Full Tin Plated
P: Gold Plated & Timed Tail

UNLESS OTHERWISE SPECIFIED SURFACE FINISH ALL OVER TOLERANCES mm

METRIC

.X = ±0.20
.XX = ±0.15

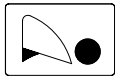
DRAW: Chubby
DATE: 10/14/05
CHECK: Kevin
APPROVE:

TITLE:

USB A Female Right Angle Type

MODEL CODE:

U560A-04S10-XXXX



誠州電子有限公司
Sincere State Electronics Co., Ltd.

NO	DESCRIPTION	QTY
----	-------------	-----