

CUST. MODEL:	REF:
CUST. P/N:	DWG FILE:

DESCRIPTION CONTROL			
REV.	DESC.	DATE.	APP.
1.0			

### Material & Finish

#### SHELL:

Steel  
Zinc plated, Tin plated  
or Nickel plated steel

#### PIN CONTACT:

Phosphor bronze or Brass

#### INSULATOR:

PBT & Glass-fibre reinforced  
UL-94-V0

#### NUMBER OF CONTACT:

24,36,50

#### DURABILITY

100 cycles

#### CURRENT RATING:

5 Amp

#### DIELECTRIC STRENGTH:

AC 1000V Min.(for one minute)

#### INSULATOR RESISTANCE:

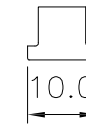
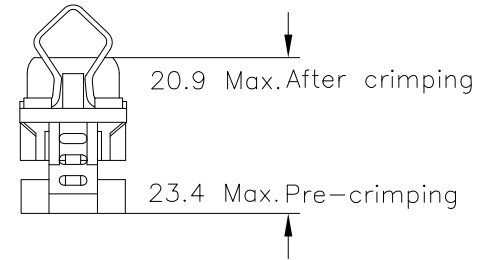
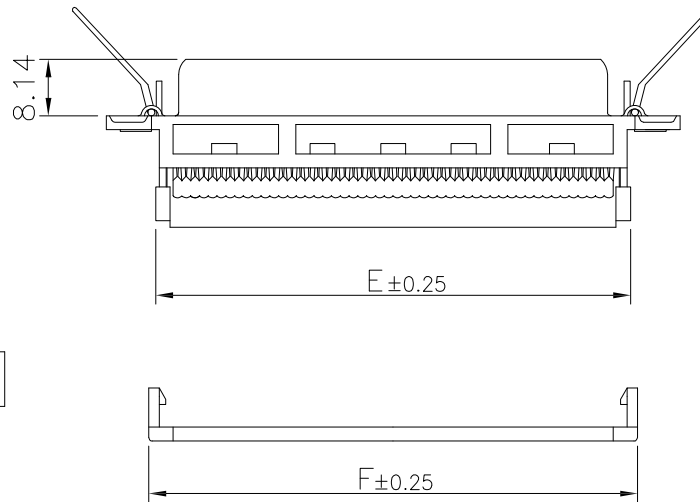
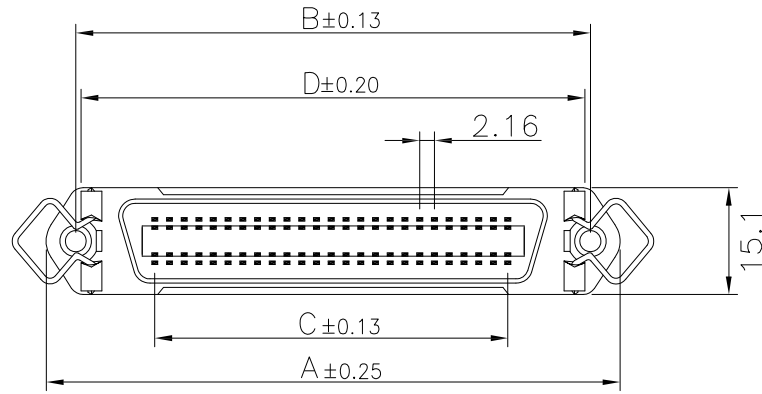
1000MΩ Min. (at 500V DC)

#### CONTACT RESISTANCE

25m Max. mated

#### TEMPERATURE:

-55°C to +105°C



DS009-□□2100

No. OF PINS:  
24,36,50

Contact type:  
2:Female

Contact:  
1:Gold Flash and Tinned Tail  
2:15u" Gold on contact  
3:30u" Gold on contact  
4:Selective Gold (Full Gold)

Shell Type  
0: All Shell Type  
1: Shell with Bail ear

Flange Mounting Option:  
0: 3.05mm clear hole  
1: #4-40 threaded hole  
2: M3 threaded hole  
3: M2.6 threaded hole

Position

	A	B	C	D	E	F
24	54.70	46.78	23.76	45.68	35.50	37.50
36	67.80	59.74	36.72	58.65	51.50	53.75
50	82.80	74.85	51.84	73.75	68.50	70.90

UNLESS OTHERWISE  
SPECIFIED SURFACE  
FINISH ALL OVER  
TOLERANCES mm

METRIC

X. = ±0.5  
.X = ±0.30  
.XX = ±0.25  
.XXX = ±0.15

DRAW: BEN	DATE: 05/17/05
CHECK: KEVIN	APPROVE: TONY

TITLE: CENTRONIC IDC TYPE FEMALE CONNECTOR
MODEL CODE: DS009-XX2100



誠州電子有限公司  
Sincere State Electronics Co.,Ltd.

NO.	DESCRIPTION	QTY
-----	-------------	-----