

CUST. MODEL:	REF.
CUST. P/N	DWG FILE:

DESCRIPTION CONTROL			
REV.	DESC.	DATE	APP.

SPECIFICATIONS

Current Rating:
2.0 Amp

Insulator Resistance:
1000 Megohms min.

Contact Resistance:
30 m ohms max.

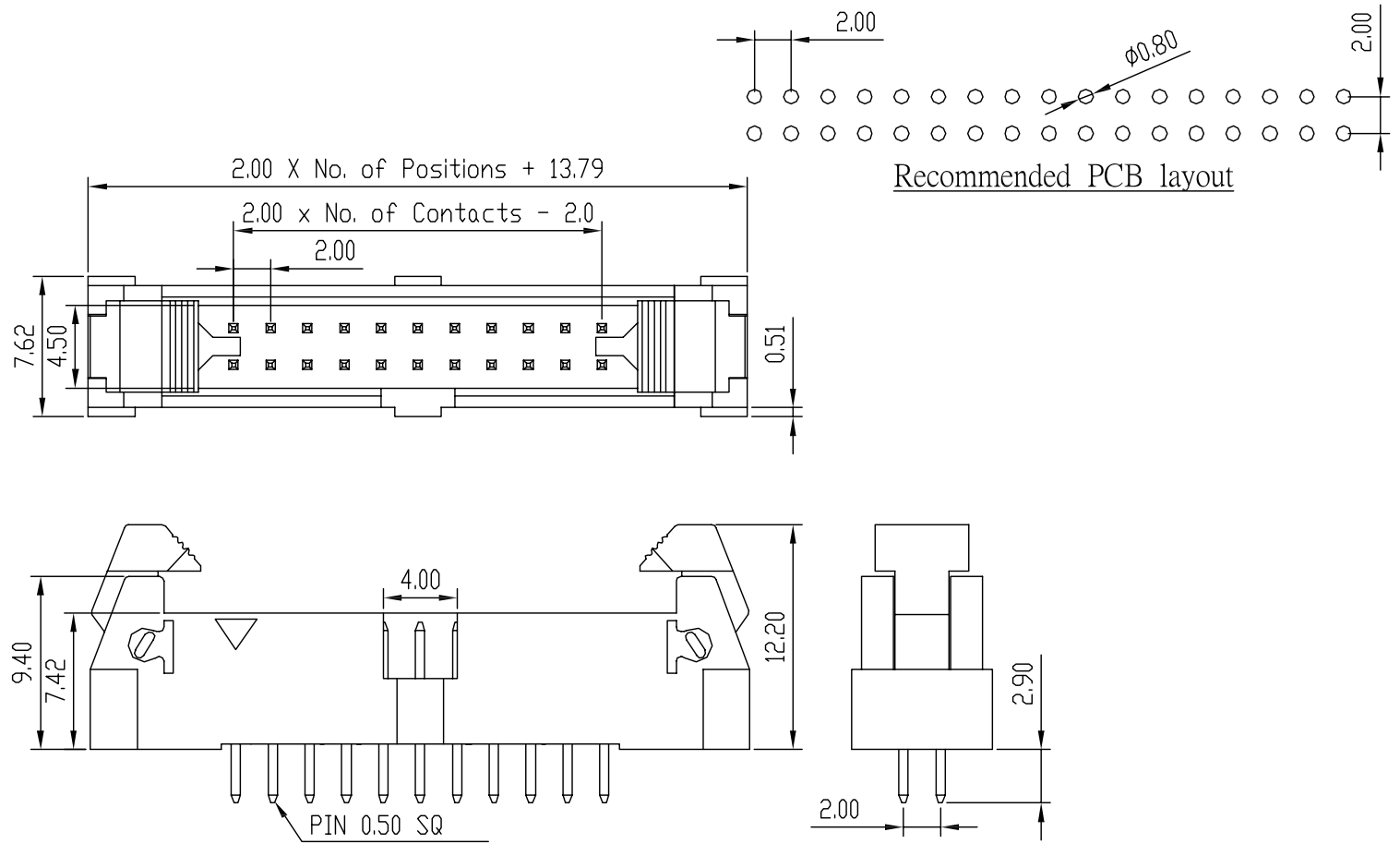
Dielectric withstanding:
AC 500V/minute

Operating Temperature:
-40°C to +105°C

Contact Material:
Copper Alloy

Insulator Material:
Nylon-6T Glass Filled Polyester
UL94V-0

Plating: Gold or Tin over 50u" Ni



BB N B-20 V 05 2 XX-01 G-XX

N: Nylon
Color
Pitch 2.54
Straight Type
Square Pin
Row of Pin
Number of Contact

Plastic High
17:17mm
G: Gold Plated
T: Tin Plated
H: Duplex Plated
Contact Plating
01 Normal
03 3u"
: :
: :



UNLESS OTHERWISE SPECIFIED SURFACE FINISH ALL OVER TOLERANCES mm METRIC .X = ±0.38 .XX = ±0.25	DRAW: <i>Chubby</i>	DATE: 01/10/07	TITLE: Pitch:2.0mm Ejector Header Straight Dip Type
	CHECK: KEVIN	APPROVE: <i>TONY</i>	MODEL CODE: BBNB-20V052XX-50G-17
			 誠州電子有限公司 <i>Sincere State Electronics Co.,Ltd.</i>