

CUST. MODEL:	REF.
CUST. P/N:	DWG FILE:

DESCRIPTION CONTROL			
REV.	DESC.	DATE	APP.

SPECIFICATIONS

Material

Insulator: PBT UL94V-0

Contact: Brass, Gold flash plated

Electrical

Current Rating: 1Amp

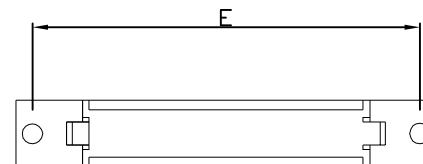
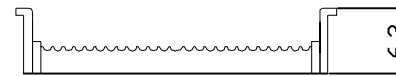
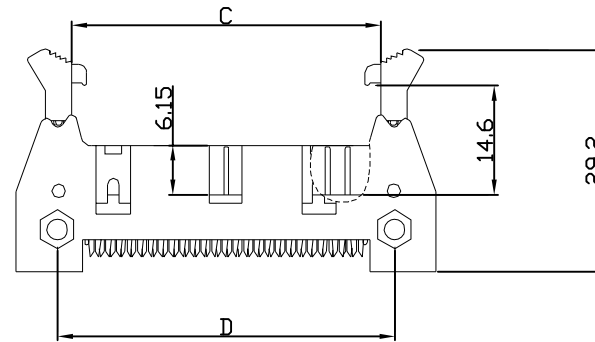
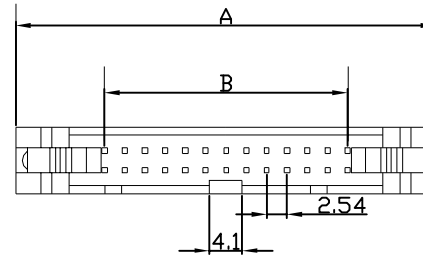
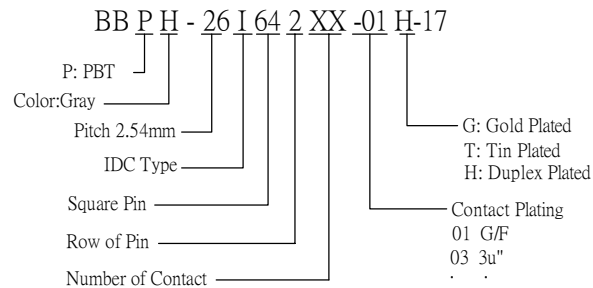
Contact Resistance: 30mΩ max.

Insulation Resistance: 3000MΩ min. at 1000VDC

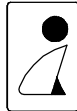
Dielectric Withstanding Voltage: 500VAC for 1minute

Operating Temperature -40°C to +105°C

RoHS Compliance



POSITION	A	B	C	D	E
10	31.98	10.16	17.94	21.83	27.92
14	37.06	15.24	23.02	26.91	33.00
16	39.60	17.75	25.56	29.45	35.54
20	44.68	22.86	30.64	34.53	40.62
24	49.76	27.94	35.72	39.61	45.70
26	52.30	30.48	38.26	42.15	48.24
30	57.38	35.56	43.34	47.23	53.32
34	62.46	40.64	48.42	52.31	58.40
40	70.08	48.26	56.04	59.93	66.02
50	82.78	60.96	68.74	72.63	78.72
60	95.48	73.66	81.44	85.33	91.42
64	100.56	78.74	86.52	90.41	96.50

UNLESS OTHERWISE SPECIFIED SURFACE FINISH ALL OVER TOLERANCES mm METRIC .X = ±0.30 .XX = ±0.20	DRAW: <i>Chubby</i> DATE: 22/09/04	TITLE: BOX HEADER WITH IDC LATCH 2.54mm
	CHECK: KEVIN APPROVE: <i>TONY</i>	MODEL CODE: BBPH-26I642XX-01G-17
	 誠州電子有限公司 <i>Sincere State Electronics Co.,Ltd.</i>	

NO	DESCRIPTION	QTY