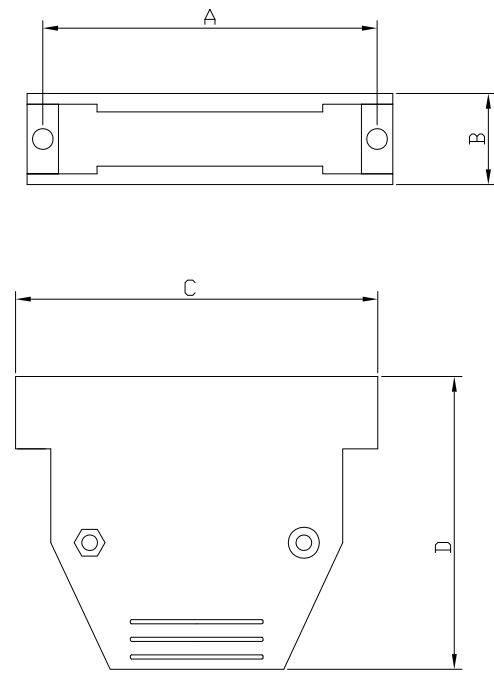
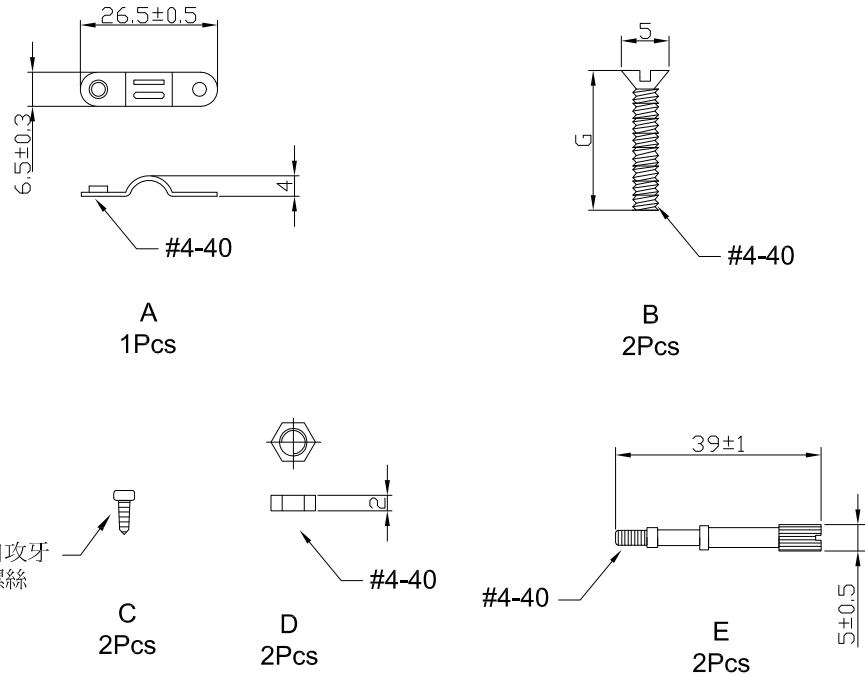


CUST. MODEL:	REF.
CUST. P/N:	DWG FILE:

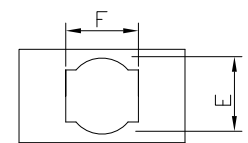
DESCRIPTION CONTROL			
REV.	DESC.	DATE	APP.

RoHS Compliance

NOTE:INSULATOR ABS UL94V-0 PLATED
METAL:STEEL/NICKEL PLATED



EA7-XX-SSC
37
50



	A±0.3	B±0.2	C±0.5	D±0.5	E±0.5	F±0.3	G±1
EA7-37-SSC	63.5	18	70.3	48	14	15.8	16.5
EA7-50-SSC	61	21.1	69.5	49.7	17	15.8	20

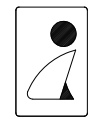
UNLESS OTHERWISE SPECIFIED SURFACE FINISH ALL OVER TOLERANCES mm

METRIC

X. = ±0.3
.X = ±0.2
.XX = ±0.1

DRAW: *Chubby*
DATE: 10/08/10
CHECK: KEVIN
APPROVE: *TONY*

TITLE: D-SUB EASY HOOD TYPE (37.50pin)
MODEL CODE: EA7-XX-SSC



誠州電子有限公司
Sincere State Electronics Co.,Ltd.

NO	DESCRIPTION	QTY
----	-------------	-----