

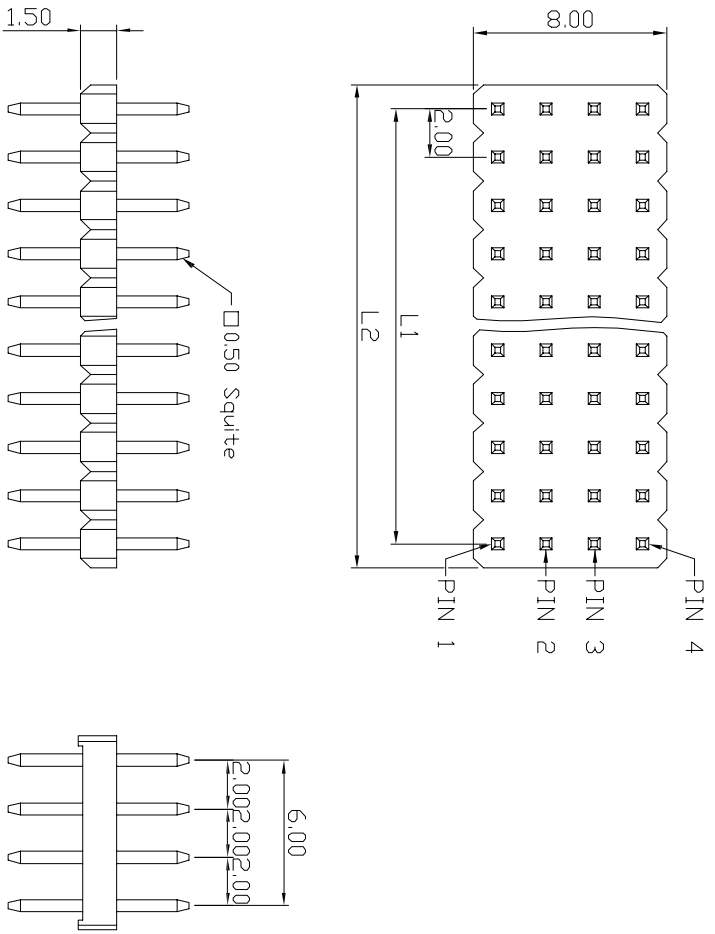
CUST. MODEL: REF.  
 CUST. P/N DWG FILE:

DESCRIPTION CONTROL  
 REV. DATE APP.  
 DESC.

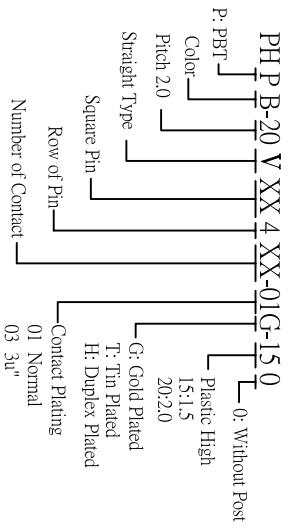
**SPECIFICATIONS**

**RoHS Compliance**

- Current Rating: 1.0 Amp
- Insulator Resistance: 1000 Megohms min.
- Contact Resistance: 25 m ohms max.
- Dielectric withstanding: AC 500V/minute
- Operating Temperature: -40°C to +105°C
- Contact Material: Brass
- Insulator Material: High Temperature Thermoplastic +Glass Fibre UL94V-0
- Color: Black
- Finish: Gold, Tin or Duplex plated
- Standard: Gold flash all over
- Duplex plating: Gold plated on contact area
- Tin on solder area



Cir-cuits	Dimension (mm)	
	L1	L2
4x2	2.00	4.00
4x3	4.00	6.00
4x4	6.00	8.00
4x5	8.00	10.00
4x6	10.00	12.00
4x7	12.00	14.00
4x8	14.00	16.00
4x9	16.00	18.00
4x10	18.00	20.00
4x11	20.00	22.00
4x12	22.00	24.00
4x13	24.00	26.00
4x14	26.00	28.00
4x15	28.00	30.00
4x16	30.00	32.00
4x17	32.00	34.00
4x18	34.00	36.00
4x19	36.00	38.00
4x20	38.00	40.00
4x21	40.00	42.00
4x22	42.00	44.00
4x23	44.00	46.00
4x24	46.00	48.00
4x25	48.00	50.00
4x26	50.00	52.00
4x27	52.00	54.00
4x28	54.00	56.00
4x29	56.00	58.00
4x30	58.00	60.00



NO	DESCRIPTION	QTY

UNLESS OTHERWISE SPECIFIED SURFACE FINISH ALL OVER TOLERANCES mm

METRIC

.X = ±0.38  
.XX = ±0.25

**TITLE:** 2.0 Pin Header Straight Type  
 Plastic High 1.5mm

**MODEL CODE:** PPHPB-20VXX4-XX-XX

**DRAW:** CHUBBY  
**DATE:** 01/10/07

**CHECK:** KEVIN  
**APPROVE:** TWY

**誠州電子有限公司**  
 Sincere State Electronics Co., Ltd.