

CUST. MODEL:	REF.
CUST. P/N	DWG FILE:

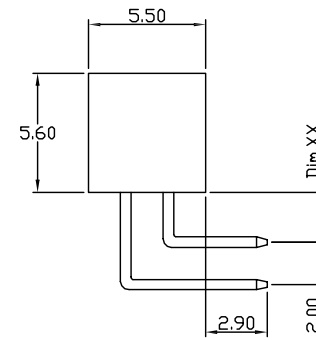
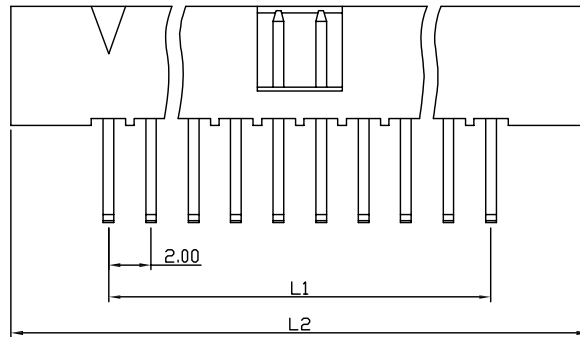
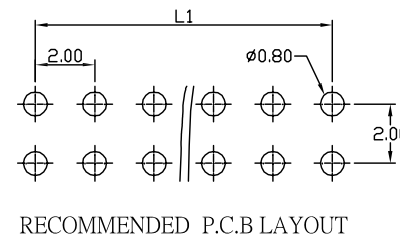
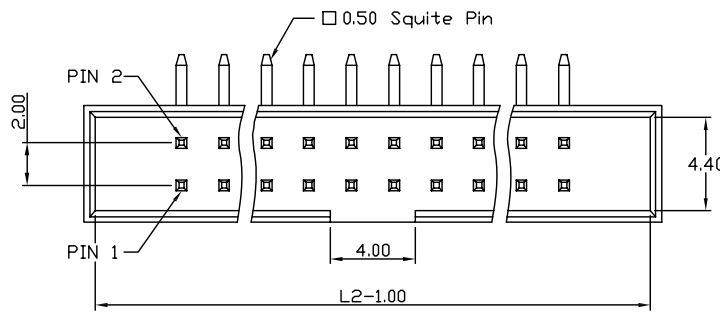
DESCRIPTION CONTROL			
REV.	DESC.	DATE	APP.

SPFCIFICATIONS

- Current Rating: 1.0 Amp
- Insulator Resistance: 1000 Megohms min.
- Contact Resistance: 25 m ohms max.
- Dielectric withstanding: AC 500V/minute
- Operating Temperature: -40°C to +105°C
- Contact Material: Brass
- Insulator Material: High Temperature Thermoplastic +Glass Fibre UL94V-0
- Color: Black
- Finish: Gold, Tin or Duplex plated
Standard: Gold flash all over
Duplex plating: Gold plated on contact area
Tin on solder area

RoHS Compliance

Cir-cuits	Dimension (mm)	
	L1	L2
2x3	4.00	13.20
2x4	6.00	15.20
2x5	8.00	17.20
2x6	10.00	19.20
2x7	12.00	21.20
2x8	14.00	23.20
2x10	18.00	27.20
2x12	22.00	31.20
2x13	24.00	33.20
2x15	28.00	37.20
2x17	32.00	41.20
2x20	38.00	47.20
2x22	42.00	51.20
2x25	48.00	57.20
2x34	66.00	75.20



BH N B-20 R XX 2 XX-01G-56 0 - XX

- N: Nylon-6T
- Color
- Pitch 2.0
- Right Angle Type
- Square Pin
- Row of Pin
- Number of Contact
- Dim.XX
- 0: Without Post
- Plastic High 56:5.6
- G: Gold Plated
- T: Tin Plated
- H: Duplex Plated
- Contact Plating
- 01 Normal
- 03 3u"
- : :

UNLESS OTHERWISE SPECIFIED SURFACE FINISH ALL OVER TOLERANCES mm

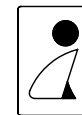
METRIC

.X = ±0.38

.XX = ±0.25

DRAW:	DATE:
CHUBBY	01/10/07
CHECK:	APPROVE:
KEVIN	TONY

TITLE:	2.0 Box Header Right Angle Type Plastic High 5.6
MODEL CODE:	BHNB-20R052XX-01G-560-XX



誠州電子有限公司
Sincere State Electronics Co.,Ltd.

NO	DESCRIPTION	QTY