

CUST. MODEL:	REF.
CUST. P/N	DWG FILE:

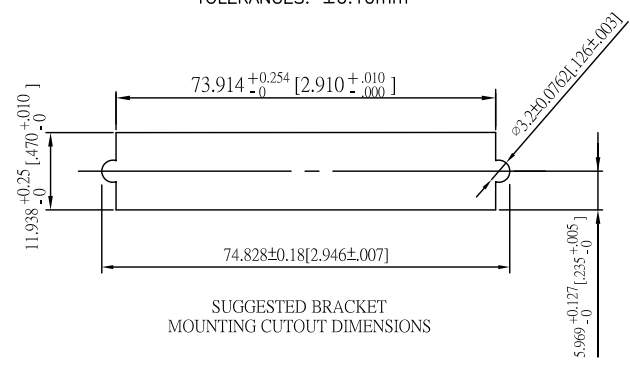
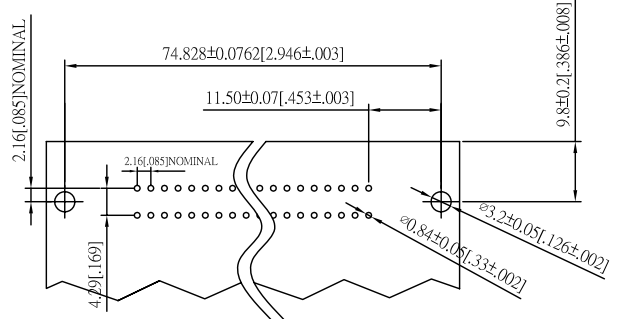
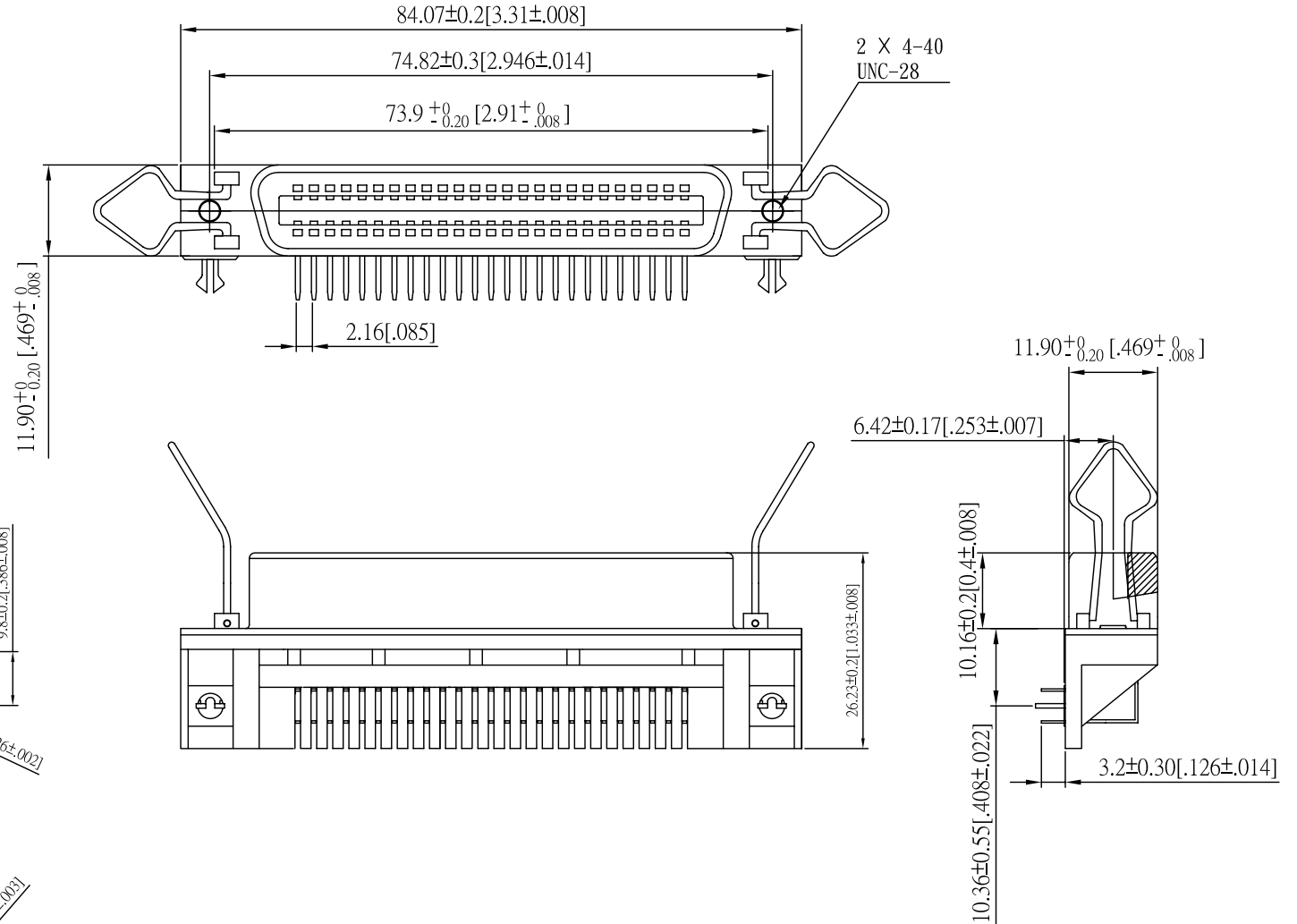
DESCRIPTION CONTROL			
REV.	DESC.	DATE	APP.


MATERIAL & FINISHES

INSULATOR: P.B.T. +30%GLASS FIBER
UL 94V-0
CONTACT: PHOSPHOR BRONZE
SHELL FINISH :STEEL NICKEL PLATED
HOOD:STEEL
PLATING :CONTACT
1. GOLD FLASH (COMPLETE)
2. SELECTIVE GOLD OVER NICKEL PLATED
(CONTACT AREA) TIN OVER NICKEL PLATED (TAIL AREA)
SHELL
NICKEL OVER COPPER PLATED
HOOD
NICKEL OVER COPPER PLATED

ELECTRICAL CHARACTERISTICS

RATING CURRENT : 5 AMP
CONTACT RESISTANCE : < 25 MILLIOHM
INSULATION RESISTANCE : > 1000 MEGOHM AT 500V
DIELECTRIC VOLTAGE : 1000V AT 1 MINUTE
OPERATION TEMPERATURE : -55° C TO +105° C
APPLIED TO WAVE SOLDER CAPABLE TO 240° C



UNLESS OTHERWISE SPECIFIED SURFACE FINISH ALL OVER TOLERANCES mm METRIC X. = ±0.5 .X = ±0.3 .XX = ±0.2	DRAW:	DATE:	TITLE: CENTRONIC 50P PCB RIGHT ANGLE FEMALE SLIM CONNECTOR MODEL CODE: DS110-502121X
	CHUBBY	01/15/07	
	CHECK:	APPROVE:	 誠州電子有限公司 <i>Sincere State Electronics Co.,Ltd.</i>
	KEVIN	TONY	

NO	DESCRIPTION	QTY